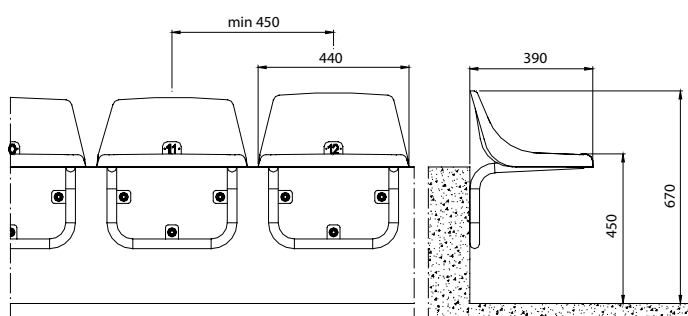
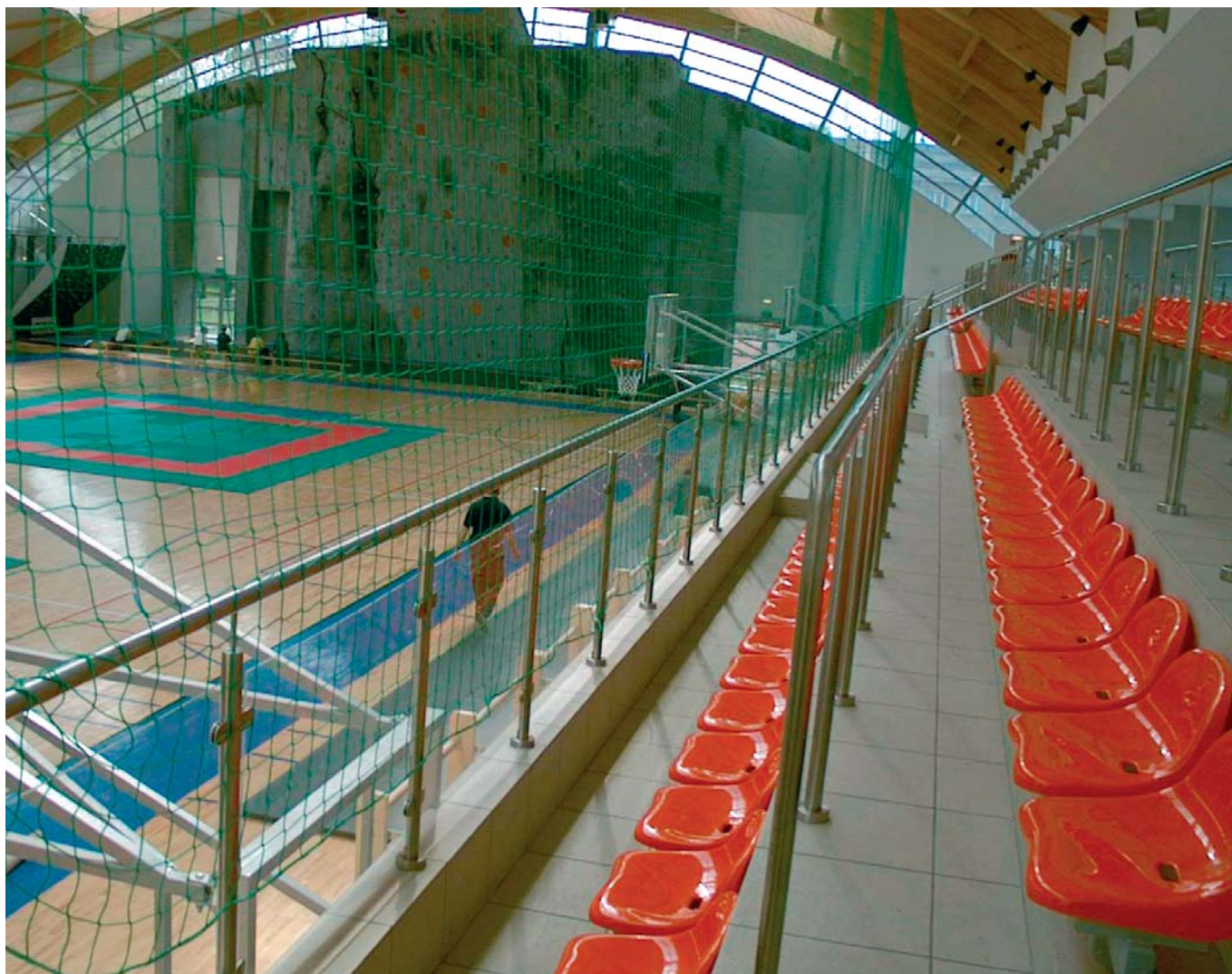


HAMBURG

The Hamburg stadium seating installed in many smaller sporting facilities.
The chairs are produced in accordance with the EN 12 727:2000 standard,
level 4, for stadium seats.



HAMBURG Type A – supporting construction fitted individually to the riser

Nowy Styl Sp. z o.o.
Export Department
ul. Pużaka 49
38-400 Krosno, Poland
T: +48 13 43 76 123
F: +48 13 43 76 238
E: export@forumseating.com

www.forumseating.com

forum
seating™



materials

The supporting structure is made of steel with anticorrosive properties created in the immersion galvanisation process, used for external installations or by the powder painting method for closed areas. The ergonomically profiled seats are made of polyamide or polypropylene (possibly with added ingredients which increase their resistance to fire, burning and UV radiation). The seats are 100% recyclable. The seats are fitted with drainage systems.

poliamide (PA6)

is a polymer applied in the open air and closed facilities, with the following parameters:

- very high durability parameters (in compliance with the EN12 727 standard, level 4, for stadium seats – the highest class of durability)
- resistance to changing atmospheric conditions
- uniform colouring
- sheen finish
- low flammability in compliance with the EN1021-1 standard and EN1021-2 standard, and also non-emission of toxic byproducts of degradation and burning, in compliance with the PN-88/B-02855 standard
- high resistance to impact in temperatures to -40°C
- high resistance to colour loss through exposure to UV radiation, in compliance with the EN ISO 4892-1:2001, EN ISO 4892-2:2001
- antistatic plastic properties
- 100% recyclability

polipropylene (PP)

is a thermoplastic polymer which, upon the client's request, can be enriched with the ingredients reducing the harmful impact of its exposure to UV radiation for open-air facilities, or with flammability reducing ingredients for closed facilities. Polypropylene (PP) has the following properties

- resistance to impact in temperatures to -20°C
- antistatic plastic properties
- 100% recyclability
- low flammability, in compliance with the EN 1021-1 and EN 1021-2 standard and also non-emission of toxic byproducts of degradation and burning, in compliance with the PN-88/B-02855 standard

Tests and certificates:

1. Fire Classification with regards to Combustibility in compliance with the EN 1021-1 and EN 1021-2:1999 standards and Fire Classification with regards to toxic byproducts of burning in compliance with the PN 88/B-02855 standard; the results of research on the toxic byproducts of burning issued by ITB.
2. The Hygiene Certificate issued by PZH.
3. The chairs have been tested with regards to their resistance to UV radiation in compliance with the EN ISO 4892-1:2001 standard and EN ISO 4892-2:2001 standard.
4. The chairs are certificated by the Research and Endorsement Institute for the Furniture Industry – Remodex Ltd.

Colouring

The colours of finishing materials printed in the catalogue may slightly differ from actual colours. Customized colours available.



The individual chairs are equipped in a numbering system.



K-S6
yellow
(ral 1021)



K-S4
orange
(ral 2008)



K-S3
red
(ral 3000)



K-S1
blue
(ral 5005)



K-S2
green
(ral 6011)



K-S5
black
(ral 9005)