



# tulip B

bracciolo [arm]



cod. 51.-- /A



## materiali [materials]

alluminio anodizzato, tecnopolimero  
[anodized aluminium, technopolymer]

cod. 51.-- /A  
assemblata [assembled]

cod. 51.-- /ING  ignifuga assemblata [no fire assembled]  
minimo 300 pz [minimum 300 pcs]



0,41 m<sup>3</sup> - 18 kg.  
58x72,5x97cm.  
4 pcs [carton]



730 pcs [truck]



634 pcs [container]

cod. 51.-- /NA  
non assemblata [disassembled]



0,227 m<sup>3</sup> - 17 kg.  
55x65,5x63cm.  
4 pcs [carton]



1409 pcs [truck]



1145 pcs [container]

cod. 52.-- /  
gambe antracite [dark legs]

## colori scocca [shell colours]



cod >00



cod >01



cod >02



cod >04



cod >06



cod >07



cod >09



cod >10



cod >22



cod >33



cod >38



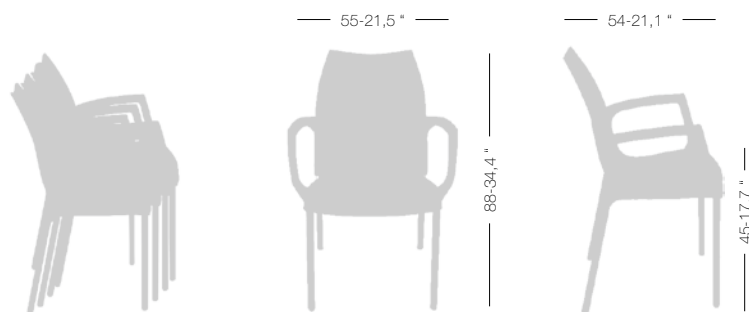
cod >39



cod >41



cod >42



CATAS  
TESTATO - TESTED